



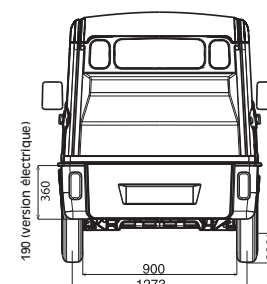
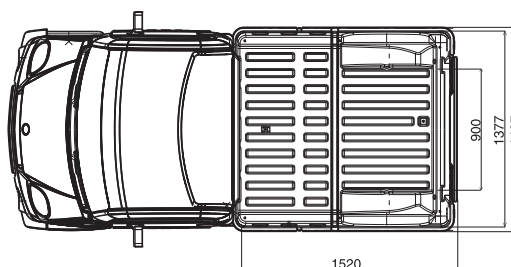
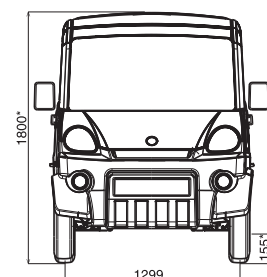
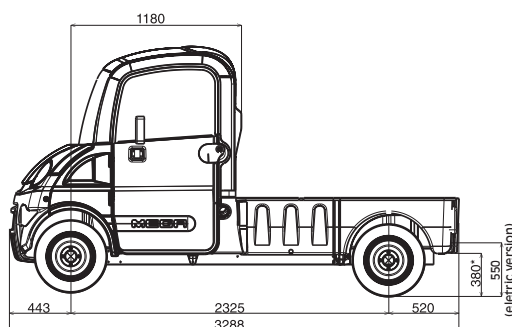
MEGA

MULTITRUCK

PICK UP



DIMENSIONS (MM)	
Wheel base	2325
Overall length	3288
Overall width (excluding rear view mirrors)	1487
Overall height*	1800
Bed interior length	1520
Bed interior width	1377
Tailgate width	900
Bed height (Diesel)	360
Bed height (electric)	190
Height load (Diesel)*	380
Height load (flooded batteries)*	550
Front ground clearance*	155
Rear ground clearance*	200
Front track	1299
Rear track	1273
Rear overhang	520



* Unladen vehicle ± 20mm



MEGA

WEIGHT (KG)

	MULTITRUCK Diesel 400 long	MULTITRUCK Diesel 600 long	MULTITRUCK AC Power 8 batteries long
Payload*	245	500	470
Total authorised laden weight	655	950	1120
Max. tolerated load on Front axle	390	475	520
Max. tolerated load on Rear axle	450	690	690
Loaded trailer max. weight		0	

* Includes load, driver, passenger, equipment, options and accessories weights

STANDARD EQUIPMENT

- Basic version equipment
- Tailgate

OPTIONAL EQUIPMENT

- Presence bell (electric version)
- Run time meter
- Trim hooks
- Radio CD/MP3/RDS
- Wood floor
- Side impact bars
- Rear impact bars
- Flashing beacon
- Roadsign bar (with 2 beacon lights)
- Reflecting tapes
- Diesel additional heating system (electric version)
- Reversing buzzer (Diesel)*
- Cage
- Cage netting
- Cab wired protection

*standard on electric version



Cage / Cage netting



Reflecting tapes



Spacious cabine



Rear impact bar

3 colours choice



Roadsign bar (with 2 beacon lights)



Side impact bars

AIXAM-MÉGA - 56 route de Pugny BP 112 - 73101 AIX-LES-BAINS CEDEX - FRANCE

Tél. + 33 (0)4 79 61 42 45 / Fax + 33 (0)4 79 35 06 11

Email: mega@mega-vehicles.com

www.mega-vehicles.com